



SAFETY AND INSTALLATION NOTICE

External tank for high-quality pure paraffin fuel (Toyotomi Premium Heating Liquids), intended for use in combination with a Toyotomi FF heater.

- This manual describes the safe installation, use and maintenance of an external tank intended exclusively for the storage of paraffin and for supplying fuel to an FF heater installed indoors via a fixed fuel line.
- This product is designed for outdoor, fixed installation only and must be used strictly in accordance with the instructions contained in this manual. Failure to comply may result in fire, explosion, personal injury or property damage.

RESPONSIBILITY AND COMPLIANCE

- The manufacturer and importer assume no liability for damage or injury resulting from improper installation, use of incorrect fuel, installation in unsuitable locations, insufficient maintenance, or deviation from the instructions in this manual.
- Installation must comply with local fire safety and fire prevention regulations, as well as all applicable local laws, regulations and environmental requirements governing the installation, storage and use of tanks.
- Read this manual carefully before installation and operation.
- If any instruction is unclear, consult an authorized dealer or importer before proceeding.



INSTRUCTION MANUAL

Please read this manual carefully before using the tank.

IMPORTANT SAFETY WARNINGS

⚠ Fuel type restriction

- Gasoline is strictly prohibited. Never use highly volatile fuels such as gasoline, solvents or similar substances, as they may cause fire or explosion.
- Use only pure paraffin fuel of high quality (Toyotomi Premium Heating Liquids). Only this ensures clean and optimal combustion.
- Lower-quality fuel may lead to an increased risk of malfunction, reduced heater lifespan, incomplete combustion, smoke, unpleasant odors, and deposits on the burner or casing.

⚠ Fire hazard prevention

- Do not install or use the tank near open flames, sparks, high-temperature equipment or any other flammable sources.

⚠ Physical safety

- Do not stand on, hang from, tilt or apply excessive force to the tank. Doing so may cause the tank to tip over, spill fuel or create dangerous conditions.

1. Installation precautions

- Always install the tank in accordance with:
 - This installation manual
 - Local fire prevention and safety regulations
- Install the tank in a fire-safe location with a stable and secure structure.
- If you are unfamiliar with installation work or installing this product for the first time, consult your dealer or Toyotomi before proceeding.

2. Refueling precautions

Before refueling:

- Turn off and extinguish all nearby combustion appliances.
- Never refuel the tank while the heater is operating.

During refueling:

- Prevent water, dust or debris from entering the tank.
- Do not fill the tank above the "FULL" mark on the fuel gauge.
- Wipe up any spilled fuel thoroughly.

After refueling:

- Close the tank cap securely.
- Ensure the tank cap is not damaged or lost.

3. Daily inspection and maintenance

Perform the following checks regularly to ensure safe operation:

Leak and connection checks

- Confirm that the fuel shut-off valve and fuel supply pipes are securely tightened.
- Check for fuel leaks to prevent unsafe situations and fire hazards.

Fuel level and pressure

- The fuel gauge provides an approximate indication only and does not show the exact fuel quantity.
- To prevent pressure buildup in the fuel piping, ensure that the fuel shut-off valve and the valve on the heater are not closed at the same time.

Ventilation

- Do not block or clog the air hole on the tank cap.
- Snow, dirt or foreign objects may cause negative pressure inside the tank, potentially leading to combustion equipment failure or fire.

Water and debris management

- If water accumulates inside the tank, drain it using the water drain valve.
- Failure to remove accumulated water may result in equipment malfunction or fire.
- Clean any debris from the fuel shut-off valve.
- If the strainer valve cup becomes cloudy or develops fine cracks, replace it promptly.

Structural checks

- Inspect the bolts and nuts to ensure they are not loose.
- Confirm that the tank legs are stable and not wobbling.

General housekeeping

- Keep the area around the tank clean and free of unnecessary items.
- Do not modify the tank or its components without authorization. Unauthorized modifications may cause damage or malfunction.

4. Precautions for aging and wear

- If the tank or its components show signs of wear, replace them with genuine parts purchased from an authorized dealer.
- When replacing the tank components:
 - Completely drain the fuel from the tank.
 - Take appropriate fire prevention measures in the surrounding area.
- If severe corrosion or deterioration is found on the tank legs or other structural components:
 - Consult your nearest dealer for inspection or replacement advice.

INSTALLATION MANUAL

Please read this manual carefully before installing the tank.

1. Pre-Installation Requirements

- Always install and use the tank in accordance with the instruction manual, installation manual, specifications of the tank, parts list and sealing tape instructions.
- Install the tank according to local fire prevention regulations.
- If you are performing this installation for the first time, consult an authorized dealer or importer.

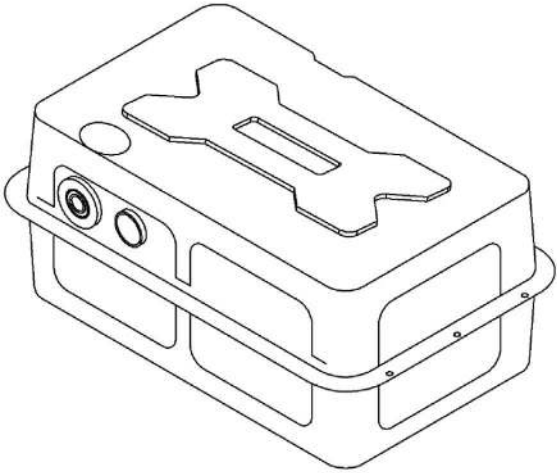
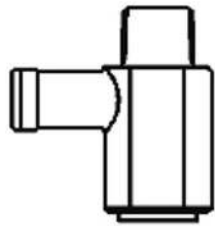

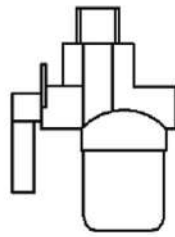

2. Installation Safety Precautions

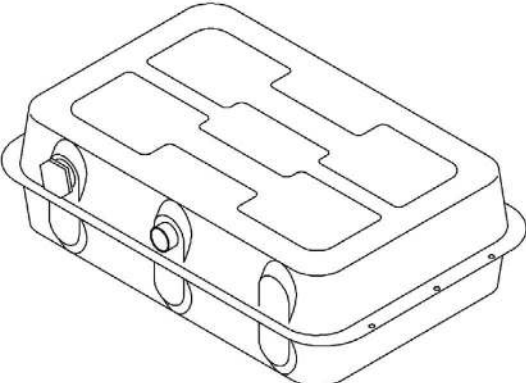
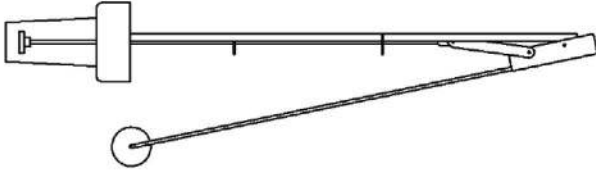
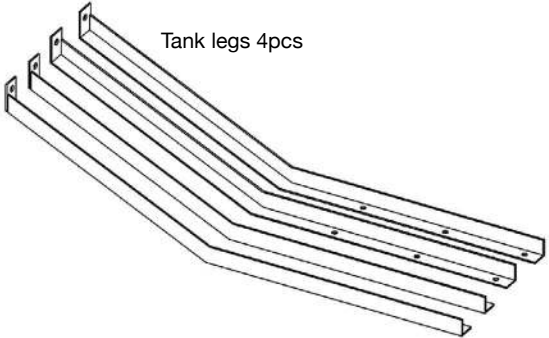
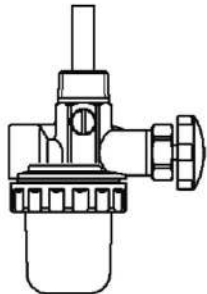

- Install the tank in a location safe from fire hazards.
- The tank must be securely anchored to a level, solid concrete floor or equivalent structure to prevent damage or overturning caused by earthquakes, vibration or impact. Do not install the tank directly on soil, gravel, or other unstable ground.
- Install the tank in a location free from risk of electrical corrosion and where corrosive liquids cannot come into contact with the tank.
- Outdoor fuel supply piping must be made of copper, metal, or another piping material approved by Toyotomi.
- Install the fuel supply piping in a way that prevents stress or damage caused by earthquakes or vibration. Use flexible joints or loop piping where necessary.

3. Preparation for Assembly

- Wear protective gloves, such as work gloves, during handling and installation.
- Confirm that all accessories and components are included before starting.
- Use only genuine, specified parts. Using non-approved parts may cause damage, malfunction or fuel leakage.

INCLUDED COMPONENTS

<p>EXTERNAL TANK 84L</p> <p>Tank body 1pc</p> 	<p>Water drain valve 1pc</p> 
 <p>Tank legs 4pcs</p>	<p>Fuel shut-off valve 1pc</p> 
<p>Bolt/nut 4 sets</p> 	

<p>EXTERNAL TANK 200L</p> <p>Tank body 1pc</p> 	<p>Fuel gauge 1pc</p> 
 <p>Tank legs 4pcs</p>	<p>Fuel shut-off valve 1pc</p> 
<p>Bolt/nut 4 sets</p> 	

4. Tank Assembly Instructions

Step 1: Install the fuel gauge

- Install the fuel gauge to the tank body.
- When installing the fuel gauge:
 - Position the arm facing away from the tank cap
 - Ensure the arm is parallel to the tank body
 - Confirm that the float does not touch the tank wall

Step 2: Attach the tank legs

- Attach the tank legs to the tank body while the tank is in an upright position.
- Ensure that all tank legs are securely tightened.

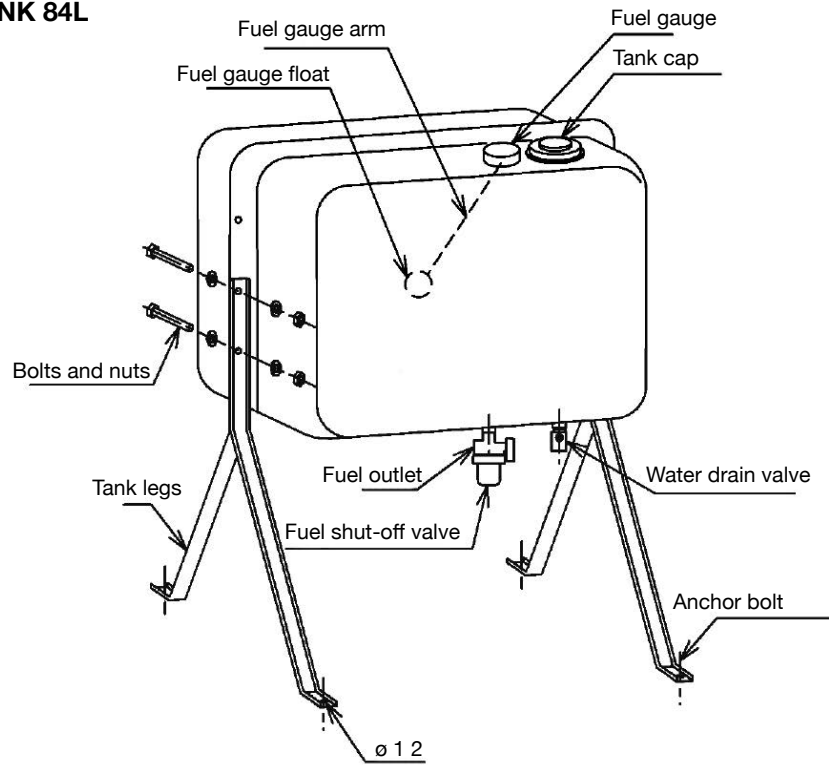
Step 3: Secure the tank

- Place the tank in its final installation position.
- Secure the tank legs to the foundation using anchor bolts.
- Anchor bolts must meet or exceed the specifications below:
 - Total length: 65 mm or more
 - Embedment depth: 45 mm or more

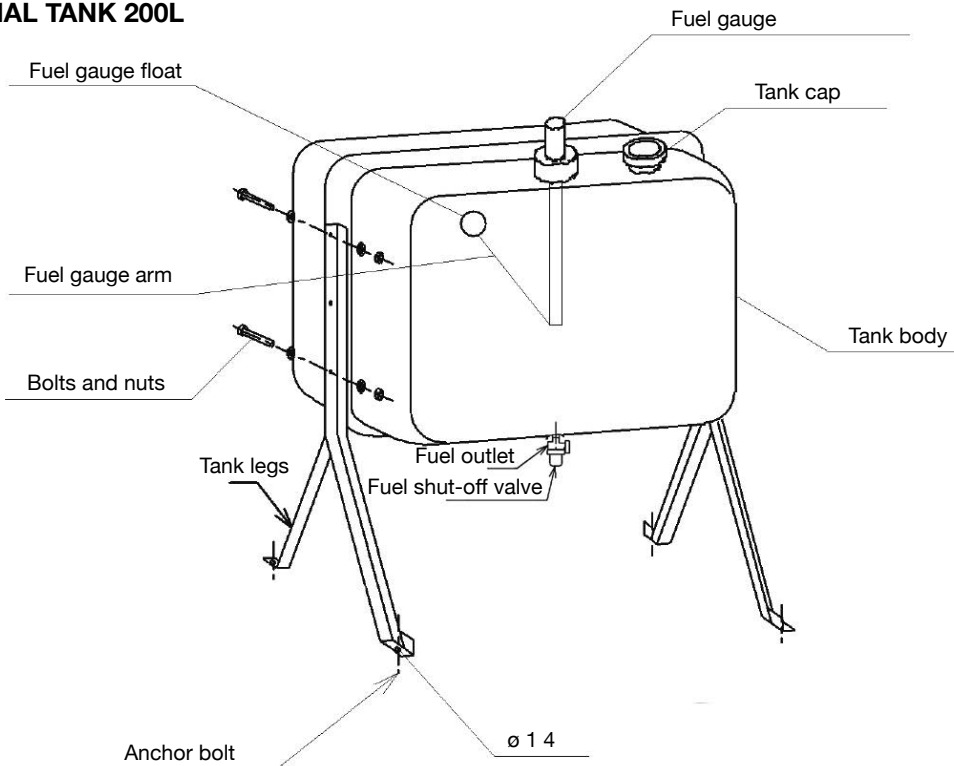
Step 4: Install the fuel shut-off valve

- Install the fuel shut-off valve and water drain valve to the tank body.
- Before tightening, wrap sealing tape around the male threaded connection.
- Tighten all connections securely.

EXTERNAL TANK 84L



EXTERNAL TANK 200L



5. Connecting the tank to the FF heater

The connection kit is supplied separately in its own packaging.

What is inside:

- Adapter
- Copper pipe with 2 nuts and flared ends on both sides
- Teflon tape

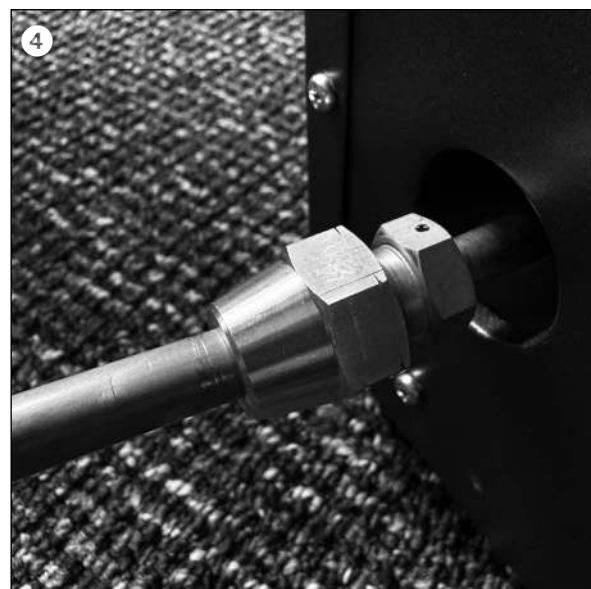
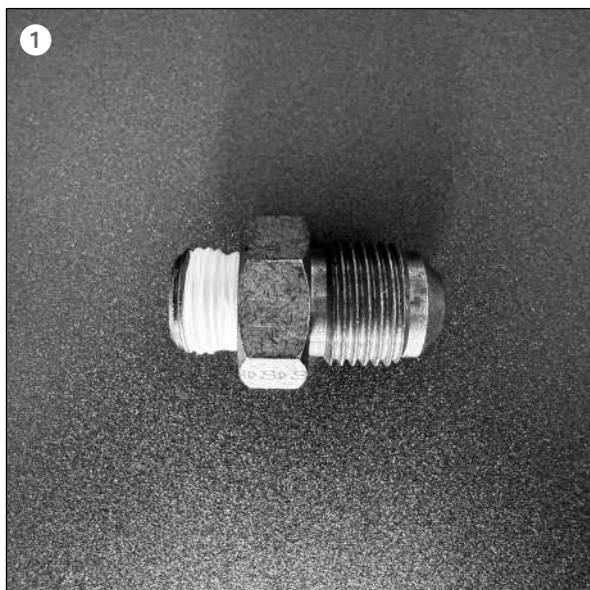
How to install:

- ❶ Apply sealing tape to the straight threaded end of the adapter that connects to the fuel shut-off valve.
- ❷ Install the straight threaded end of the adapter into the fuel shut-off valve.
- ❸ Connect one flared nut of the fuel supply pipe to the flared end of the adapter.
- ❹ Connect the other flared nut of the fuel supply pipe to the fuel inlet connection of the FF heater.

⚠ Ensure that both flared nut connections are securely tightened.

6. Post-Installation Inspection

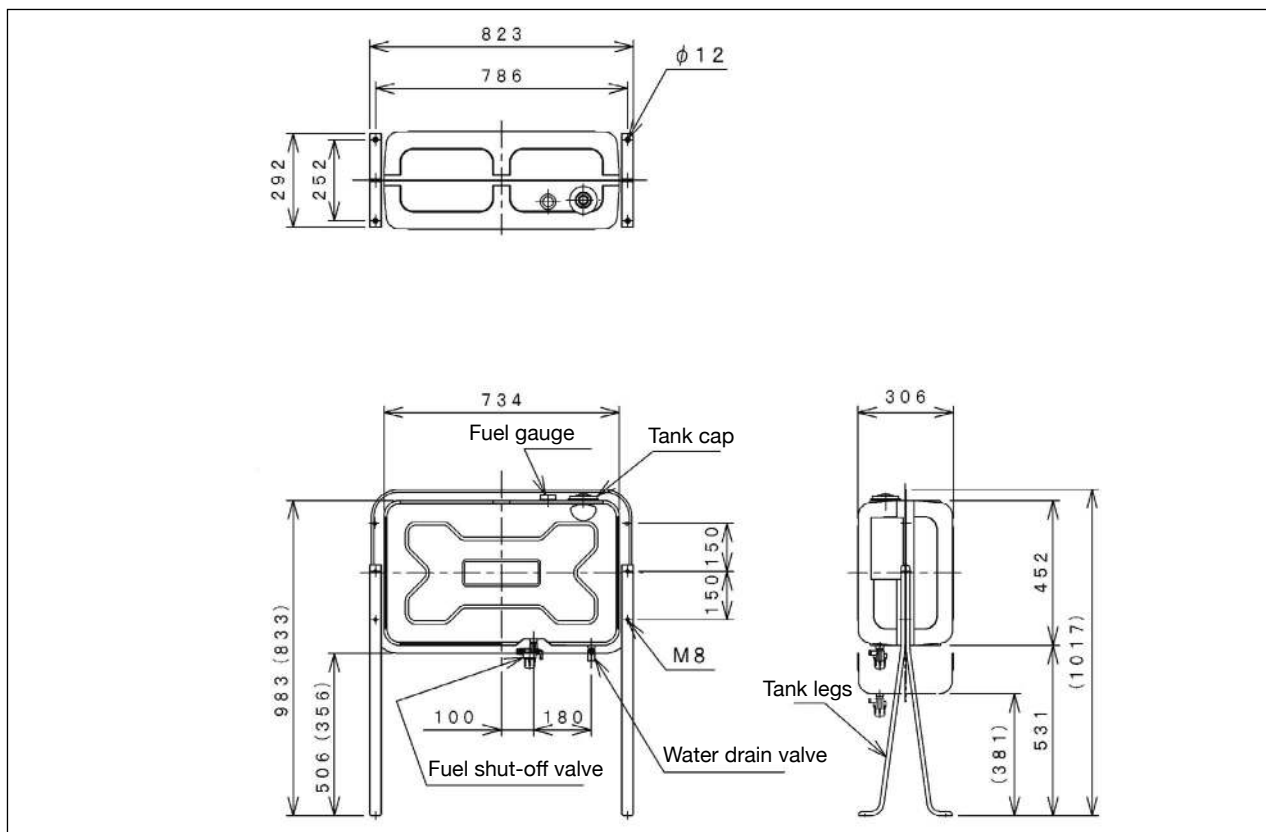
- Ensure all valves and fittings are fully tightened before adding fuel.
- Fill the tank with high-quality pure paraffin fuel.
- Carefully check all connection points for fuel leaks.
- If leakage is detected, stop operation immediately and correct the issue before use.



Technical Specifications External tank 84L

NAME	External tank 84L
EAN CODE	4963505900168
MODEL	KL4-090 SE
Specifications	
Volume	93.5 liter
Capacity	84.0 liter
Fuel type	High-quality pure paraffin fuel (Toyotomi Premium Heating Liquids)
Tank type	Fixed installation (leg-fixed), outdoor type
Body material	Hot-dip galvanized steel plate
Body thickness	1.2 mm
Leg size	757 mm
Leg thickness	2.0 mm
Welding	Seam welding, spot welding, projection welding
Coating	Polyester resin electrostatic powder coating
Inspection	100% inspection under 19.6 kPa air pressure after tank sealing
Package	Corrugated cardboard box
Fuel gauge	Float type
Filling port	ø 60 mm
Fuel outlet	Rc 3/8"
Paint	Beige
Net weight	16 kg
Gross weight	18 kg

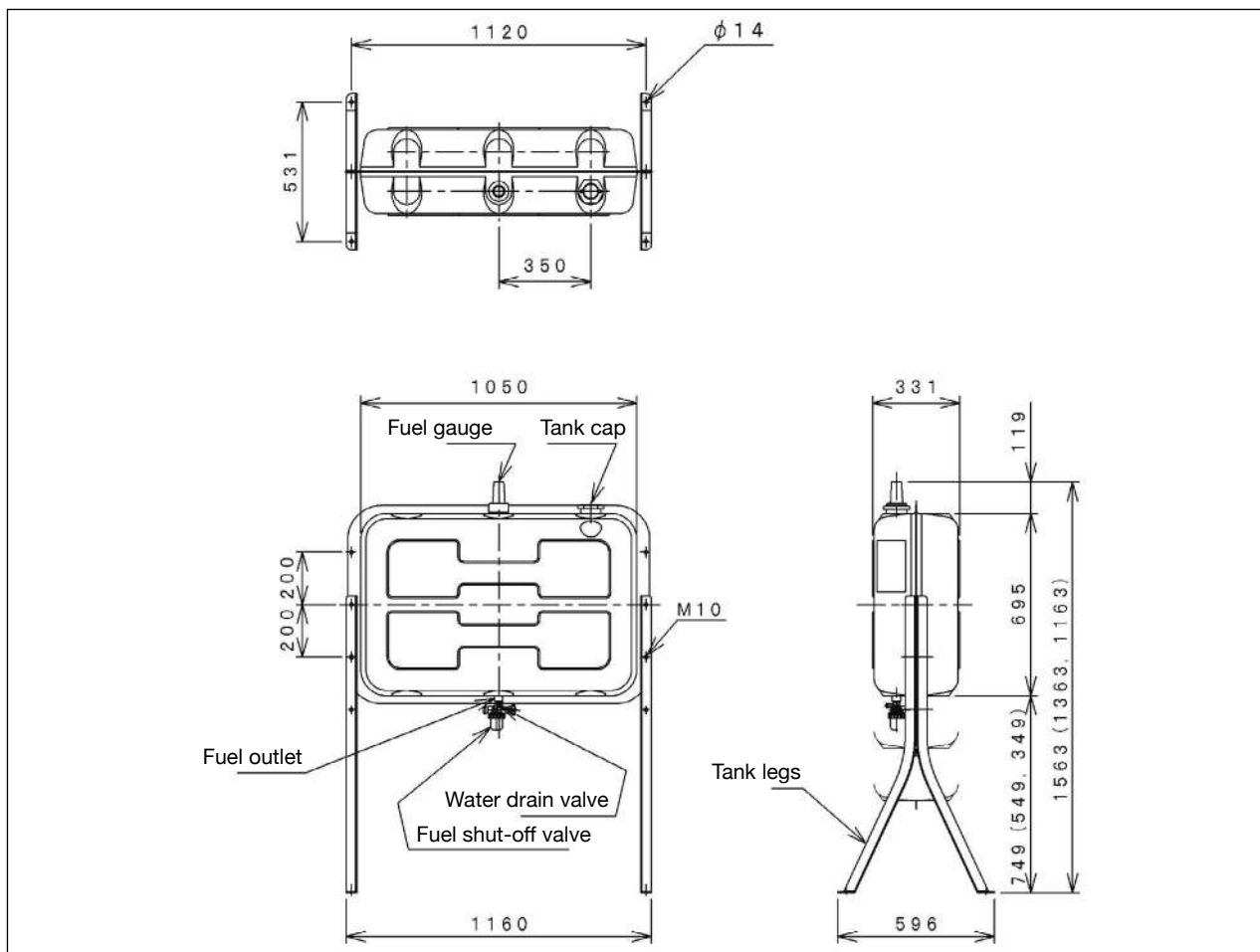
Note: The dimensions in parentheses indicate the height when the tank mounting (installing) position lowered by 150 mm.



Technical Specifications External tank 200L

NAME	External tank 200L
EAN CODE	4963505900175
MODEL	KL3-200 SJ
Specifications	
Volume	220.0 liter
Capacity	198.0 liter
Fuel type	High-quality pure paraffin fuel (Toyotomi Premium Heating Liquids)
Tank type	Fixed installation (leg-fixed), outdoor type
Body material	Hot-dip galvanized steel plate
Body thickness	1.6 mm
Leg size	1097 mm
Leg thickness	4.0 mm
Welding	Seam welding, CO ₂ arc welding
Coating	Polyester resin electrostatic powder coating
Inspection	100% inspection under 49.0 kPa air pressure after tank sealing
Package	Corrugated cardboard box
Fuel gauge	Float type
Filling port	ø 60 mm
Fuel outlet	Rc 3/4"
Paint	Beige
Net weight	42 kg
Gross weight	44 kg

Note: The dimensions in parentheses indicate the height when the tank mounting (installing) position lowered by 200 mm or 400 mm.



TOYOTOMI CO., LTD.

5-17, Momozono-cho, Mizuho-ku, Nagoya, 467-0855 Japan
<http://www.toyotomi.jp>