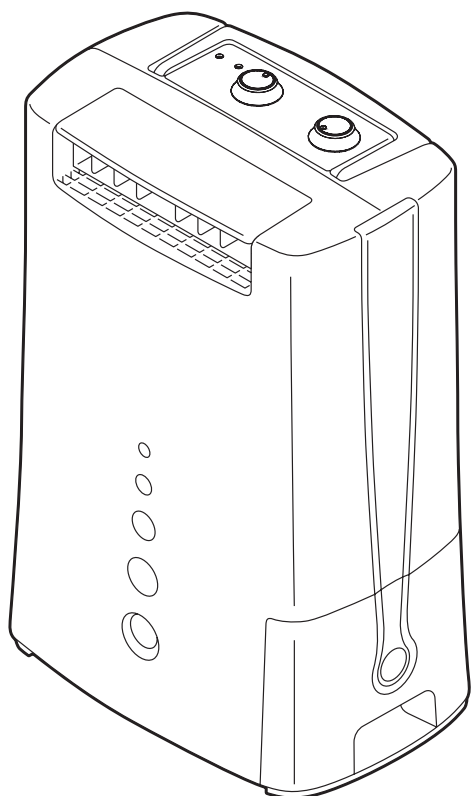


# **TÖYÖTÖMI**



**TD-ZM80**

**DESICCANT TYPE DEHUMIDIFIER**

**DESHUMIDIFICATEUR D'AIR À  
ADSORPTION**

**ADSORPTIONSTROCKNER**

**ADSORPTIE  
LUCHTONTVOCHTIGER**

**DEUMIDIFICATORE CON  
COMPRESSORE**

**AFFUGTER AF  
TØRREMIDDELTYPE**

OPERATING MANUAL

MANUAL D'UTILISATION

BEDIENUNGSANLEITUNG

GEBRUIKSAANWIJZING

MANUALE DI ISTRUZIONI

BETJENINGSVEJLEDNING

ENGLISH

FRANÇAIS

DEUTSCH

NEDERLANDS

ITALIANO

DANSK

P. 1

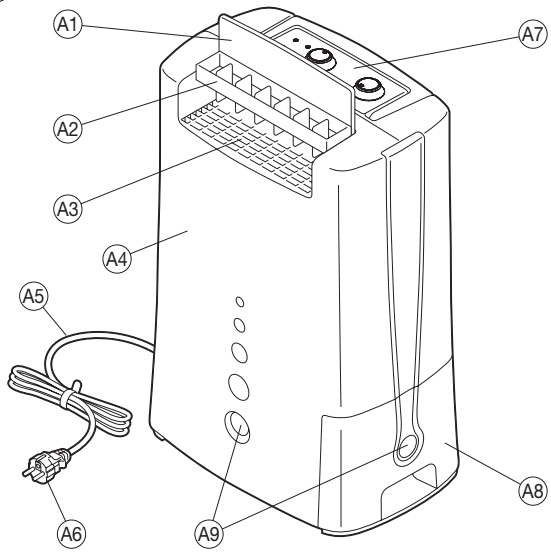
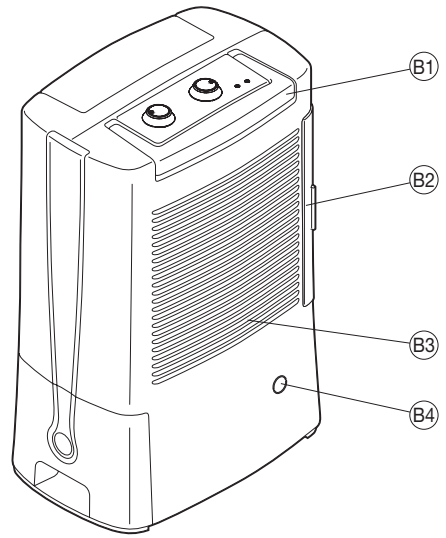
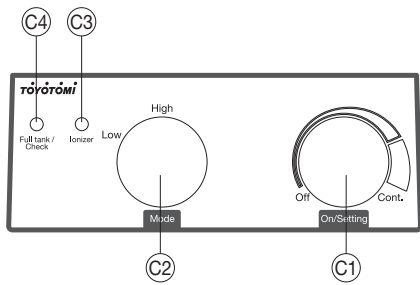
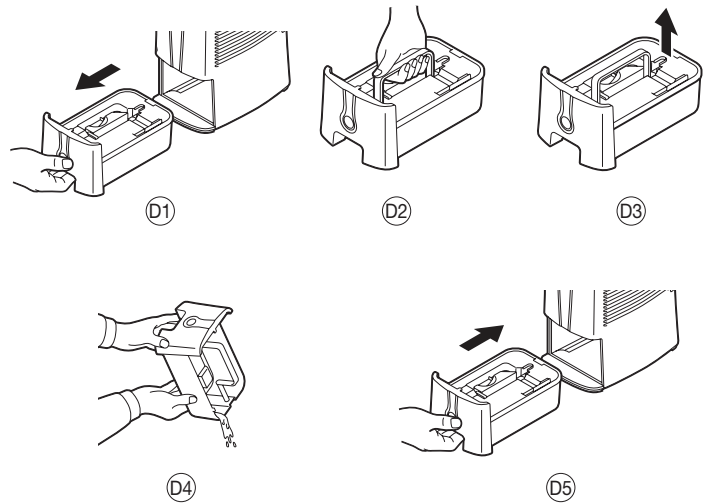
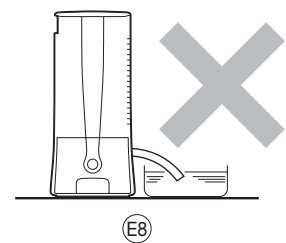
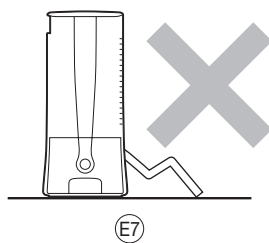
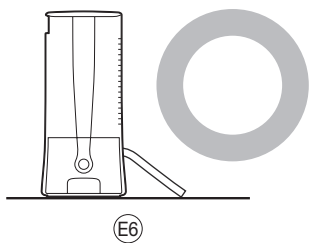
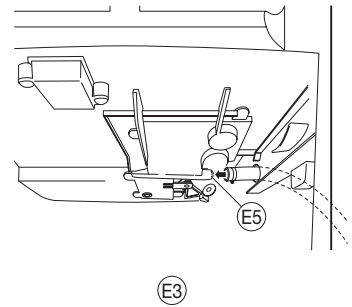
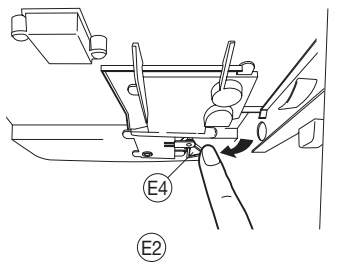
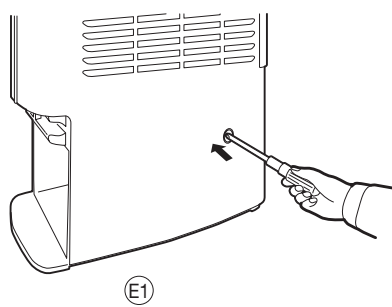
P. 5

P. 9

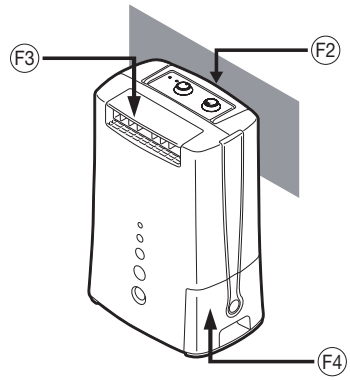
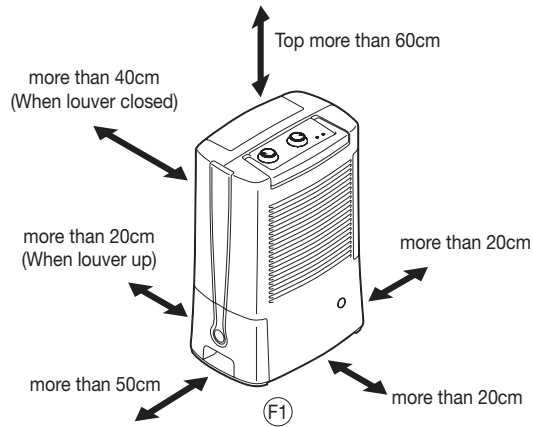
P.13

P.17

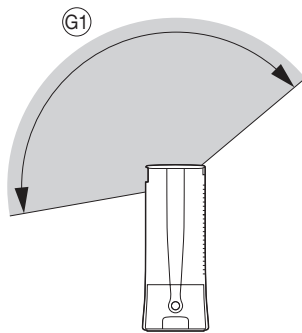
P.21

**A****B****C****D****E**

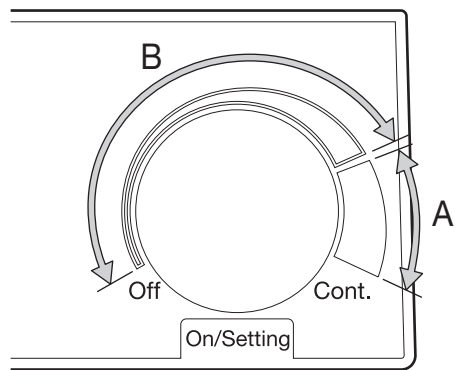
F



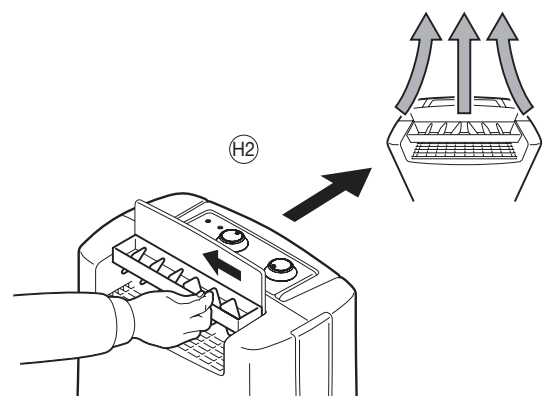
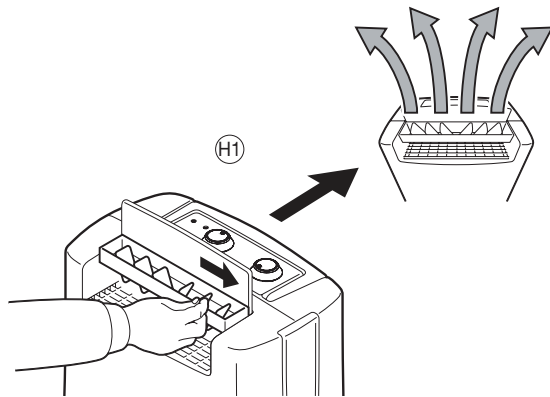
G



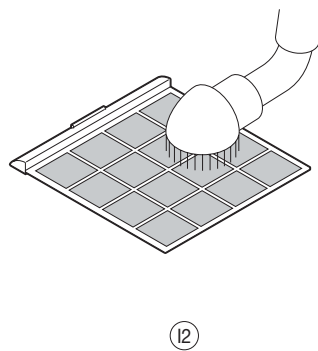
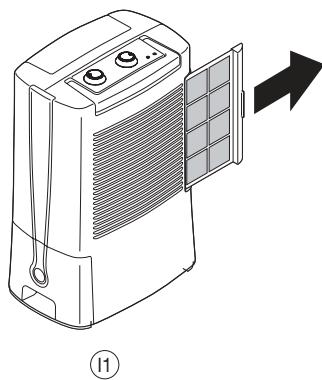
J



H



I



## SUMMARY

The idea behind the unit is to dehumidify all season even if it is winter. This model features desiccant instead of compressor. Accordingly this model is not affected by room temperature. Also, desiccant type dehumidifier does not use harmful gasses, so it can be said as environmentally friendly.

It dries the air so that you can stay comfortable even when it's humid or rainy outside. Also your furnishings, fabrics and clothes are kept in good condition, and it is easy to dry your laundry and dry it quickly. Desiccant type is quieter than the compressor type, therefore you can dry the laundry at night and it will be dried in the morning.

## OPERATIONAL FEATURES

### FEATURES

#### 1. COMPRESSOR LESS DEHUMIDIFIER

This model uses desiccant rotor technology and is environmentally friendly with no harmful gasses & quiet in operation.

#### 2. POWER SELECTION

Turn the knob to select HIGH MODE (high heating power and high fan speed) or LOW MODE (low heating power and low fan speed).

#### 3. IONISER

When the unit is on, ioniser release negative ions from the air outlet.

#### 4. ANTI BACTERIAL FILTER

Nano-silver embedded in the filter kills bacteria on contact, improving the quality of air in your home or office.

## 1. DESCRIPTION

### Fig. A FRONT

- A1 Louver
- A2 Wide / Spot adjustable louver
- A3 Air outlet
- A4 Front panel
- A5 Power supply cord
- A6 Power plug
- A7 Operation panel
- A8 Water tank
- A9 Water gauge

### Fig. B REAR

- B1 Carrying handle
- B2 Air intake grille (Pre-filter)
- B3 Air intake
- B4 Water outlet drain for continuous drain operation

### Fig. C OPERATION PANEL

- C1 Humidistat knob
- C2 Hi / Low Power knob
- C3 Ion / Running lamp
- C4 Full / Check lamp

(Lights up when the bucket is full, incorrectly installed; the unit inclines, falls down or internal thermal protection activates when being misused or overheated (see "TROUBESHOOTING")

## 2. SAFETY TIPS

### IMPORTANT

- Read instruction carefully before operation.
- The unit should be operated when the room temperature is between 1°C to 40°C.
- If the supply cord is damaged, it must be replaced by the manufacturer, its service agent or similarly qualified persons in order to avoid a hazard.
- The appliance shall be installed in accordance with national wiring regulations.
- While drying the clothes, please keep clothing at a safe distance from the unit to prevent water from dropping onto the unit.

### ⚠WARNING

This appliance is intended for use in a domestic environment only. Any other use is not recommended by the manufacturer and may cause fire, electrical shocks or other injury to person or property. When using electrical appliances, basic safety precautions should always be followed:

- DO NOT operate the unit with a damaged cord or plug, after it malfunctions or has been dropped or damaged in any way. Return to an authorized service facility for examination and repair.
- This unit should always be kept in an upright position to avoid any damage. Locate the unit on a flat stable surface.
- Check the household voltage to ensure it matches the units rated specification before operating.
- Ensure that the air inlets and outlets are not blocked or covered.
- DO NOT place the unit too close to curtains or other objects -minimum distance 40cm.
- When using the unit to speed up the drying of wet clothes in the room, please keep the clothing at a safe distance from the unit to prevent water from dropping onto the unit.
- NEVER place anything on top of the unit and do not cover with any kind of material while in use.
- This product is intended for domestic and light office use ONLY and not for commercial, industrial or outdoor use.
- To protect against electrical shocks, DO NOT immerse unit, plug or cord in water, or spray with liquids.
- ALWAYS unplug the unit when not in use or moving location. To disconnect from the power supply, grip the plug and pull from the power socket. NEVER pull by the cord.
- ALWAYS empty the water tank before storing the unit away.
- Using the dehumidifier in front of a warm radiator can result in the dehumidifier not collecting any water because of the heat from the radiator.
- DO NOT run power cord under carpets, rugs, or floor mats of any kind. Arrange the cord away from areas where it may be tripped over
- NEVER operate or store the unit in direct sunlight.
- To repair the unit, take it to a qualified service engineer. Repairs carried out by unqualified people may cause damage to the unit or injury to persons or property and void the warranty.
- Where possible, avoid the use of an extension cable as they may overheat and cause a risk of fire. Only use an extension cord after ensuring it is in perfect condition.
- DO NOT use the unit without the air filter and make sure that the filter is kept clean to avoid malfunction and invalidating the warranty.
- This appliance can be used by children aged from 8 years and above and persons with reduced physical, sensory or mental capabilities or lack of experience and knowledge if they have been given supervision or instruction concerning use of the appliance in a safe way and understand the hazards involved.
- Children shall not play with the appliance.
- Cleaning and user maintenance shall not be made by children without supervision.

### 3. OPERATION

#### UNIT SET UP (Fig. F)

- Place the unit in an upright position on a stable, flat surface.
- Ensure that the unit is a safe distance away from a wall or furniture (Fig. F1).
- Keep clothes at a safe distance of 40 cm from air outlet of the unit to prevent water dripping into the unit.

#### ⚠ CAUTION

- Keep suitable space as above. (F2)
- DO NOT insert small objects into the unit or this will damage it and cause a hazard. (F3)
- DO NOT remove water tank when running or water may leak. (F4)
- Ensure that the water tank is fitted correctly, if the tank is full or is not in place, the "Full tank / Check" lights and the machine stops. (F4)

#### HUMIDISTAT

##### OPERATING STEPS:

1. By turning the knob (C1) clockwise, unit starts the operation and the dehumidification is started.
2. As the knob turned closer to the indication of 'Cont.', the setting room humidity become lower.
3. When the knob is turned to the rightmost position, the operation mode become continuous operation.
4. The knob (C1) is recommended to be set in the range of 'A' (Fig. J).

#### ⚠ CAUTION

In case that the knob is set in the range of 'B' (Fig. J), after the automatic operation is stopped, it may take time to start the operation again depends on the room environment.

#### 5. STOP OPERATION

Turn the knob (C1) counterclockwise to switch off and the running lamp (C3) will be off.

#### POWER SELECTION SWITCH

##### OPERATING STEPS:

1. Turn the knob (C2) clockwise to select HIGH MODE (high heating power and high fan speed). Select this mode for short-term rapid dehumidification
2. Turn the knob (C2) counterclockwise to select LOW MODE (low heating power and low fan speed). Use this mode for normal daily use, energy saving and quiet operation.

#### IONISER OPERATION:

1. When the unit is on, the IONISER and the Ionizer lamp (C3) will be on.
2. When the unit is off, the IONISER and the Ionizer lamp (C3) will be off.

#### HORIZONTAL ADJUSTABLE LOUVER (Fig. G)

The air outlet can be adjusted forward or upward.

#### WIDE / SPOT ADJUSTABLE LOUVER (Fig. H)

Wide blowing (H1) → Adjust the blades outwards for an expanded airflow.

Spot blowing (H2) → Adjust the blades inwards for a spot airflow.

#### CONTINUOUS DRAINAGE MODE (Fig. E)

For continuous drainage, use a hose with an inner diameter of 12mm and outer diameter of 14mm~16mm.

1. Remove the water tank.
2. Use a screwdriver to remove the knockout at the back. (E1) Pushing down and hold the stopper (E4) for drainage pipe by finger (Fig. E2). Attach the hose to the drainage pipe (E5) through the hole (Fig. E3).
3. Remove the tank cover and restore the water tank into the unit.

If the tank is not restored in the unit, full tank lamp will light and cannot start operation.

4. The tubing should be lead to the drain with no sharp bends. (E6, E7, E8)

#### NOTE:

1. The water tank must be in the correct position before tubing.
2. Remove the tubing before pulling out the water tank.
3. Remove the hose from the continuous drainage hole. Be sure to put the tank cover on the water tank and restart operation.

#### 4. EMPTY THE WATER TANK (Fig. D)

1. When the water tank is full, the Water full indicator lamp (C4) will light and unit stops in a few minutes.

NOTE: DO NOT move the unit or remove the water tank, if the unit is still operating, as water may leak, damage the unit or cause an electric shock.

2. By gripping the bottom of the bucket, remove the water tank (D1) and lift carefully with handle (D2)
3. Remove the cover of water tank first (D3), then pour the water away (D4). Clean the water tank and restore the cover and the water tank (D5) to the correct position.

#### NOTE:

- Clean the water tank with clean water if needed. DO NOT use solvent, abrasive or hot water.
- DO NOT remove or damage the float in the tank, or the unit cannot work correctly.
- The water tank cover must be well fitted in position.
- The water full indicator lamp lights if the water tank is not well in the position.

#### CLEANING

##### CLEANING AIR INTAKE GRILLE (Fig. I)

If the filter is covered with dust, the airflow and the performance of the unit will be affected. It is recommended to check and clean the air filter every 2 weeks.

1. Turn off the unit and remove the filter from the unit. (I1)
2. Clean the nano-silver filter with a vacuum cleaner or wash with water (under 40°C). (I2) If you wash with water, dry it completely at shaded area.
3. Replace the filter in position.

##### CLEANING SURFACE

1. Turn off the unit, wait for the fan to stop and unplug from the power socket.
2. Clean the surface with a soft damp cloth.
3. Dry thoroughly with a towel after cleaning.
4. In order to avoid damage, do not wash the unit with water, or let water drip into the air inlet or outlet.

#### ⚠ CAUTION

- NEVER use gasoline, solvents, chemical products or polish as they could damage the surface.

#### 5. LONG-TERM STORAGE

At the end of each season, or when you do not plan to use your unit for an extended period of time, the following procedures are recommended.

1. Turn off the unit, wait for it to stop and unplug from the power socket.
2. Clean and dry the water tank. Leave the unit to drain for approximately one day.
3. Clean the filter and the unit. Cover the unit to prevent it from gathering dust. Store upright in a cool dry place. DO NOT expose to direct sunlight.

#### ⚠ CAUTION

- ALWAYS store the unit in the vertical position.
- DO NOT put heavy objects on top of the unit.

## 6. TROUBLESHOOTING

SYMPTOM	CAUSE	SOLUTION
Unit does not work.	<ul style="list-style-type: none"> <li>- Power cut.</li> <li>- The plug has been plugged improperly.</li> <li>- The full-tank indicator is ON. Tank is full.</li> </ul>	<ul style="list-style-type: none"> <li>- Wait for power to be supplied again.</li> <li>- Plug in again.</li> <li>- Remove the drain water from the water tank.</li> </ul>
The device does not dehumidify. (Full/Check lamp on)	<ul style="list-style-type: none"> <li>- The water tank is full.</li> <li>- The water tank has not been replaced correctly</li> <li>- The air filter is clogged.</li> <li>- The room temperature or humidity is too low for the current settings.</li> <li>- The ambient temperature is too high, such as over 40°C.</li> </ul>	<ul style="list-style-type: none"> <li>- Remove the water from the water tank.</li> <li>- Place the water tank in the correct position.</li> <li>- Clean the air filter.</li> <li>- It is highly unlikely at that temperature and humidity that there is less moisture to remove anyway. Choose Low mode and turn the humidistat counterclockwise to a suitable setting.</li> <li>- Do not use it in a small and closed place where heat accumulates.</li> <li>- Move to a cooler places, wait at least 30 minutes to re-start.</li> </ul>
The dehumidifier works, but reduces the relative humidity insufficiently/there is little water in the water tank.	<ul style="list-style-type: none"> <li>- The house is too large.</li> <li>- There are too many source of moisture. Bathing, washing, drying clothes and cooking all puts moisture into the air. Calor gas heating can add too much moisture into the air for a dehumidifier.</li> <li>- Set humidity is reached.</li> </ul>	<ul style="list-style-type: none"> <li>- Recommend to use a dehumidifier with a greater capacity.</li> <li>- Recommend to use a dehumidifier with a greater capacity. Consider using a different heat source to a calor gas heater.</li> <li>- Readjust the humidity settings.</li> </ul>
Dehumidifier is blowing out warm air.	<ul style="list-style-type: none"> <li>- The dried air is past over a heating element before it is blown into the room as part of the dehumidification process.</li> </ul>	<ul style="list-style-type: none"> <li>- This is normal, a dehumidifier is not an air cooler.</li> </ul>
The dehumidifier is noisy.	<ul style="list-style-type: none"> <li>- The air filter is blocked or the unit is on an uneven surface.</li> </ul>	<ul style="list-style-type: none"> <li>- Clean the filter and / or put the dehumidifier on a flat surface. A dehumidifier will also be noisier on wooden floors than on carpet.</li> </ul>

Should there still be a problem, please unplug the unit and contact us.

## BEFORE CALLING FOR SERVICE

The followings are not defects.

Smell coming from the dehumidifier when the first use.	⇒	The smell occurs because the Zeolite absorbs odors from items like cigarettes, cosmetics, and building materials, and discharged when the desiccant is heated. It is normal, will not last long and is not a sign of fault.
Need emptying frequently when the first use.	⇒	As the room becomes dryer, the dehumidifier collects less water.

## 7. SPECIFICATIONS

MODEL	TD-ZM80
DEHUMIDIFYING CAPACITY	8 L/D (20°C/60%rh)
POWER SOURCE	Single Phase 220V~240V, 50Hz
POWER CONSUMPTION	580 W (230V)
OPERATING CURRENT	2.5 A
WATER TANK CAPACITY	2.2 L
OPERATING TEMP. RANGE	1°C ~ 40°C
DIMENSIONS (W × H × D)	212 × 496 × 320 mm
WEIGHT	6.1 kg



This marking indicates that this product should not be disposed with other household wastes throughout the EU. To prevent possible harm to the environment or human health from uncontrolled waste disposal, recycle it responsibly to promote the sustainable reuse of material resources. To return your used device, please use the return and collection systems or contact the retailer where the product was purchased. They can take this product for environmental safe recycling.



## LIMITED WARRANTY

TOYOTOMI CO., LTD. ("TOYOTOMI") warrants each product and any parts thereof sold by it to be free from defects in materials or workmanship under normal use and service for TWENTY FOUR (24) MONTHS from the date of delivery to the original purchaser at retail subject to the following terms and conditions:

**WHAT IS COVERED :** Product or any parts thereof which are defective in materials or workmanship.

**WHAT IS NOT COVERED:**

This warranty does not extend to any defect due to the negligence of others; failure to install, operate or maintain unit in accordance with instructions (operating and maintenance instructions are furnished with each new unit); unreasonable use, accidents, alteration, use of unauthorized or non-standardized TOYOTOMI parts and accessories; electrical malfunction, i.e., as resulting from large power surges, short circuit, etc.; incorrect installation; or repair by anyone other than a service facility specified by TOYOTOMI.

**WHO IS COVERED:** The original purchaser at retail.

**WHAT WE WILL DO:** TOYOTOMI will either repair or replace, at its opinion, all defective parts free of charge that are covered by this limited warranty on a carry-in basis, to your nearest authorized dealer or distributor of TOYOTOMI.

**WHAT YOU MUST DO FOR WARRANTY SERVICE:** You must return the defective Product or part to any authorized dealer or distributor of TOYOTOMI with this LIMITED WARRANTY. If service is not available locally, please contact our CUSTOMER RELATIONS DEPARTMENT at:

**TOYOTOMI EUROPE SALES B.V.**

E-MAIL: [info@toyotomi.eu](mailto:info@toyotomi.eu)

INTERNET: [www.toyotomi.eu](http://www.toyotomi.eu)

THE FOREGOING EXPRESS ALL OF TOYOTOMI'S OBLIGATIONS AND LIABILITIES WITH RESPECT TO THE QUALITY OF PRODUCT FURNISHED BY IT. ALL OTHER WARRANTIES, EXPRESSED OR IMPLIED, INCLUDING THE WARRANTIES OF MERCHANTABILITY OR FITNESS FOR A PARTICULAR PURPOSE ARE DISCLAIMED. TOYOTOMI SHALL NOT BE LIABLE FOR THE LOSS OF USE OF THE PRODUCT, INCONVENIENCE, LOSS OR ANY OTHER DAMAGES, DIRECT OR CONSEQUENTIAL ARISING OUT OF, THE USE OF, OR INABILITY TO USE, THE PRODUCT OR DAMAGES RESULTING FROM OR ATTRIBUTABLE TO DEFECTS IN THE PRODUCT.

No other than TOYOTOMI has authority to extend or modify the terms of this Limited Warranty in any manner whatsoever.

Some states do not allow the exclusion or limitation of incidental or consequential damages or limitations on how long an implied warranty lasts, so these limitations or exclusions may not apply to you. This Limited Warranty gives you specific legal rights and you may also have other rights which vary from state to state.

**TOYOTOMI CO., LTD.**

5-17, Momozono-cho, Mizuho-ku,  
Nagoya, 467-0855 Japan